

LOAD FEEDER FUSELESS DIRECT START, AC 400V, SZ S00 0.7.
 . . 1A, AC 230V SPRING-LOADED CONNECTION FOR RAIL-
 MOUNTING, TYPE OF COORDINATION 2, IQ = 150KA (ALSO
 FULFILLS TYPE OF COORDINATION 1) 1NO (CONTACTOR)



Product brand name	SIRIUS
Product designation	Direct (on-line) starter
Design of the product	for standard rail or screw mounting
Product type designation	3RA21
Manufacturer's article number	
<ul style="list-style-type: none"> • of the supplied contactor • of the supplied circuit-breakers • of the supplied link module 	3RT2015-2AP01 3RV2011-0JA20 3RA2911-2AA00

General technical data	
Size of the circuit-breaker	S00
Size of load feeder	S00
Insulation voltage	
<ul style="list-style-type: none"> • with degree of pollution 3 rated value 	690 V
Surge voltage resistance rated value	6 kV
Protection class IP	
<ul style="list-style-type: none"> • on the front 	IP20
Type of assignment	2
Protection against electrical shock	finger-safe

Ambient conditions

Ambient temperature

- during operation -20 ... +60 °C
- during storage -50 ... +80 °C
- during transport -50 ... +80 °C

Temperature compensation

-20 ... +60 °C

Main circuit

Number of poles for main current circuit

3

Adjustable pick-up value current of the current-dependent overload release

0.7 ... 1 A

Operating voltage

- rated value 690 V
- at AC-3 rated value maximum 690 V

Operating frequency rated value

50 ... 60 Hz

Operating current

- at AC-3
 - at 400 V rated value 0.85 A

Operating power

- at AC-3
 - at 400 V rated value 250 W

Control circuit/ Control

Control supply voltage at AC

- at 50 Hz rated value 230 V
- at 60 Hz rated value 230 V

Apparent holding power of magnet coil at AC

4.2 V·A

Auxiliary circuit

Product extension Auxiliary switch

Yes

Protective and monitoring functions

Trip class

CLASS 10

Design of the overload release

thermal (bimetallic)

UL/CSA ratings

Full-load current (FLA) for three-phase AC motor

- at 480 V rated value 1 A

Yielded mechanical performance [hp]

- for three-phase AC motor
 - at 575/600 V rated value 0.5 hp

Short-circuit protection

Product function Short circuit protection

Yes

Design of the short-circuit trip

magnetic

Conditional short-circuit current (I_q)

- at 400 V acc. to IEC 60947-4-1 rated value

153 000 A

Installation/ mounting/ dimensions

Mounting position	vertical
Mounting type	screw and snap-on mounting onto 35 mm standard mounting rail
Height	197.6 mm
Width	45 mm
Depth	97.1 mm
Required spacing	
<ul style="list-style-type: none"> • for grounded parts <ul style="list-style-type: none"> — forwards 20 mm — Backwards 0 mm — upwards 50 mm — at the side 20 mm — downwards 10 mm • for live parts <ul style="list-style-type: none"> — forwards 20 mm — Backwards 0 mm — upwards 50 mm — downwards 10 mm — at the side 20 mm 	

Connections/Terminals

Type of electrical connection	
<ul style="list-style-type: none"> • for main current circuit 	spring-loaded terminals

Safety related data

B10 value	
<ul style="list-style-type: none"> • with high demand rate acc. to SN 31920 	1 000 000
Proportion of dangerous failures	
<ul style="list-style-type: none"> • with high demand rate acc. to SN 31920 	73 %

Certificates/approvals

General Product Approval	For use in hazardous locations	Declaration of Conformity
--------------------------	--------------------------------	---------------------------



Test Certificates	Marine / Shipping
-------------------	-------------------

[Special Test Certificate](#)

[Type Test Certificates/Test Report](#)



Marine / Shipping	other	Railway
-------------------	-------	---------



[Environmental Confirmations](#)

[Confirmation](#)

[Vibration and Shock](#)

Further information

Information- and Downloadcenter (Catalogs, Brochures,...)

<http://www.siemens.com/industrial-controls/catalogs>

Industry Mall (Online ordering system)

<https://mall.industry.siemens.com/mall/en/en/Catalog/product?mlfb=3RA2110-0JE15-1AP0>

Cax online generator

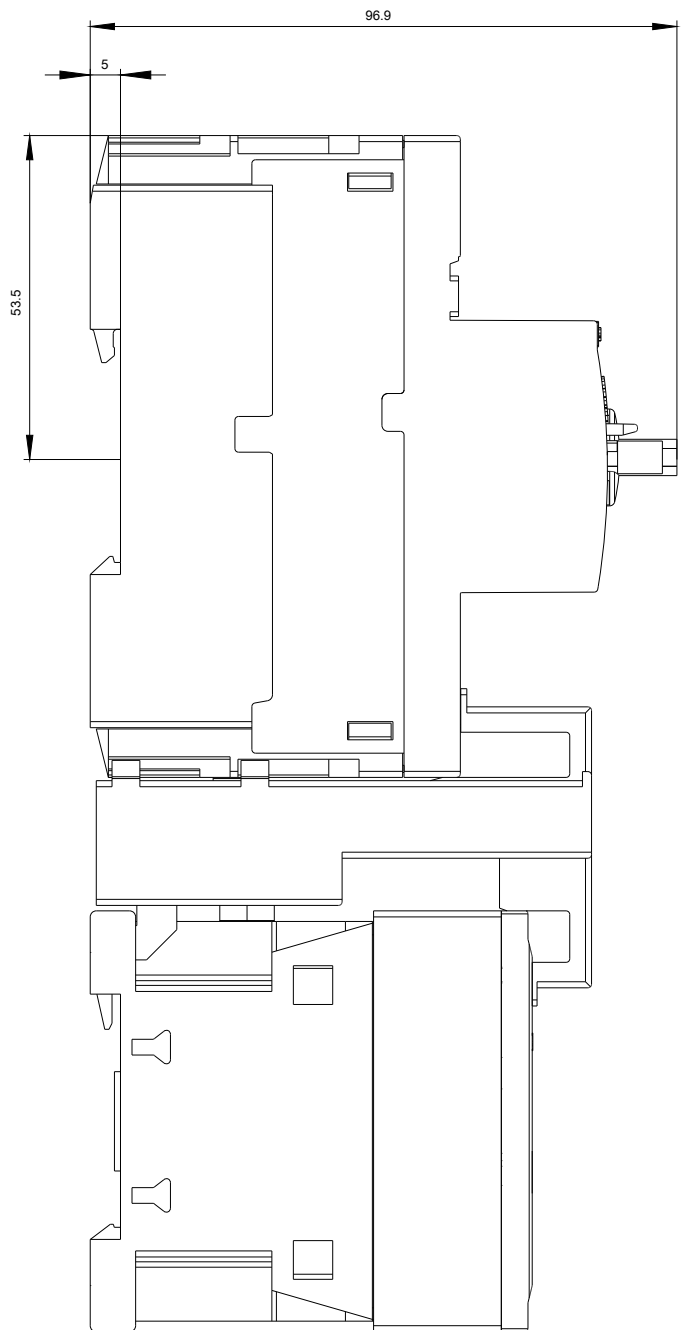
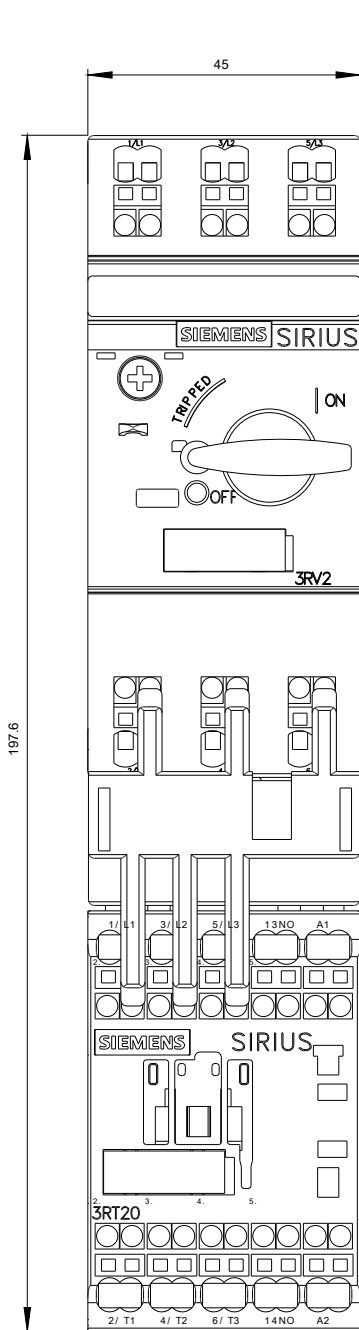
<http://support.automation.siemens.com/WW/CAXorder/default.aspx?lang=en&mlfb=3RA2110-0JE15-1AP0>

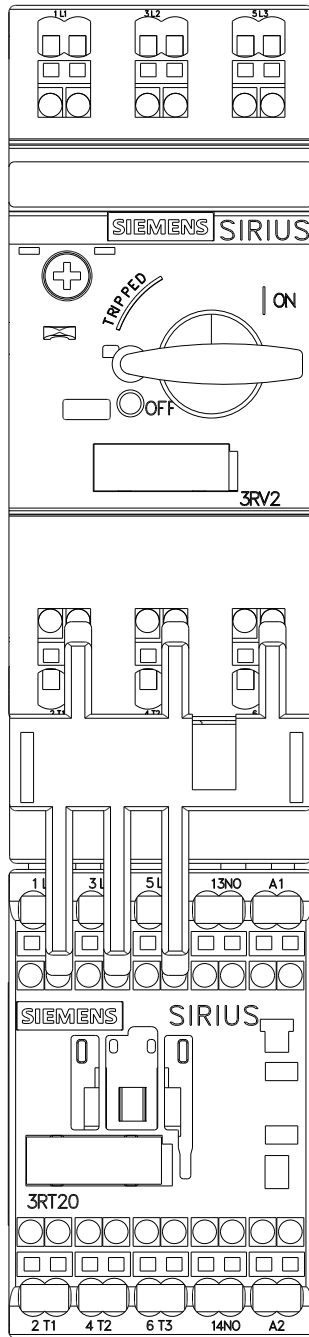
Service&Support (Manuals, Certificates, Characteristics, FAQs,...)

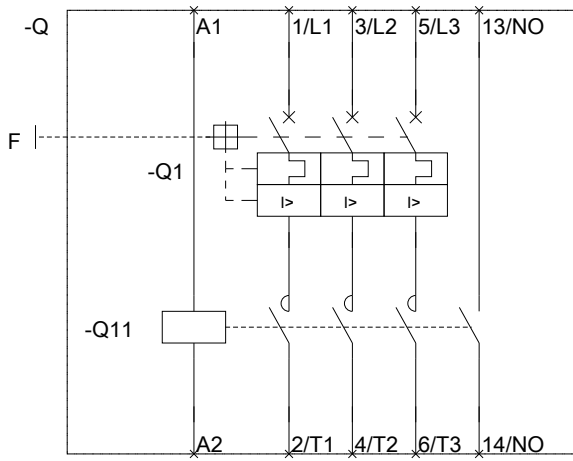
<https://support.industry.siemens.com/cs/ww/en/ps/3RA2110-0JE15-1AP0>

Image database (product images, 2D dimension drawings, 3D models, device circuit diagrams, EPLAN macros, ...)

http://www.automation.siemens.com/bilddb/cax_de.aspx?mlfb=3RA2110-0JE15-1AP0&lang=en







last modified:

07/14/2017